

### Description

The AquiTron™ AT-SZA Single Zone Alarm is designed for use with all TraceTek sensing cables, AquiTron™ probes and other sensing devices to detect leaks. The AT-SZA provides both visual and audible indication when a leak or cable fault has occurred and has relay contacts to connect to other external alarm equipment, BMS and PLC's.

### Simple operation

The operator silences the SZA alarm by pressing the mute button on the front face plate.

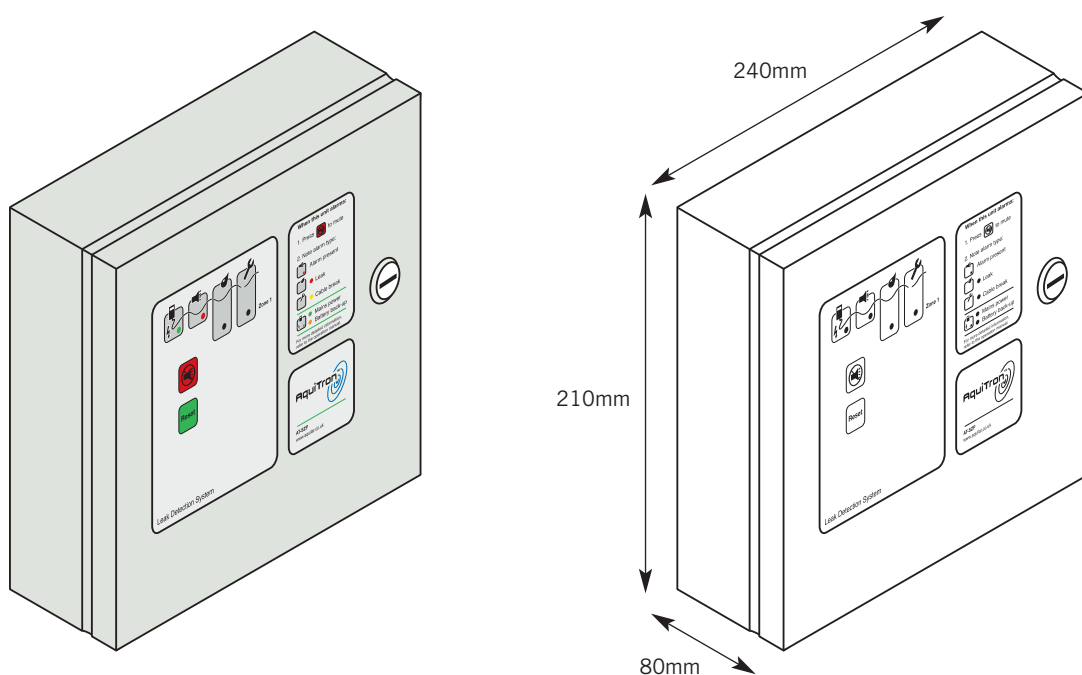
The LED's located on the front face plate indicate Power, (mains or battery back-up), Alarm, Leak alarm and Cable break. Once the alarm has been silenced, the red Alarm LED will stop flashing to indicate the system has been acknowledged and the appropriate Leak or Cable break LED will be illuminated. Once the cause has been located and corrected the corresponding LED will automatically be extinguished, and the panel can be Reset. Pressing the Reset button also resets the volt free alarm relay contacts.

### Versatile design

The SZA metal enclosure can be easily mounted to a wall or other flat surface. A semi-flush mounting flange is also available. The enclosure is lockable, has an IP54 rating and a 90 decibel audible alarm. An auxiliary remote alarm (AT-RAP) can be added to the system and located in remote positions such as reception areas and security rooms. The AT-SZA unit operates on 230/120Vac (50/60HZ) and 12Vdc. A battery enclosure unit (AT-BU) for 72-hour operation is also available.

### Applications

The AT-SZA is ideally suited for simple integration into centralised monitoring systems for computer rooms or large facilities, as well as interfacing into control systems for air conditioning and fan coil units, pump, booster and generator sets. Typical applications include monitoring leaks that could occur around individual air-handling units, water-cooled machinery, tanks, pumps, sumps, lift pits or other locations.



### Technical Information

Sensing cable compatibility	All TraceTek sensing cable (TT1000, 3000, 5000, 5001, 7000)
Detection Probes	Water detection probes, optical oil sensors, float switches and immersion sensors
Maximum sensing circuit	100 metres (328 ft) of TraceTek sensing cable Combination of any 10 AquiTron™ probes
Enclosure	Powder coated steel, colour RAL 7032, IP54, lockable
Humidity	5% to 95% non-condensing
Power supply	230/120Vac, 50/60Hz, 12Vdc, 7 watts
Relay Output	3A 250Vac / 24Vdc. SPDT Volt free relay contacts activated by leak or cable fault (NC/COM or NO/COM)
Status LED	Power (Mains-Green, Battery-Red), Alarm (red flashing), Leak (Red), Cable break (Yellow)



## Approvals

Electromagnetic compatibility (EMC)

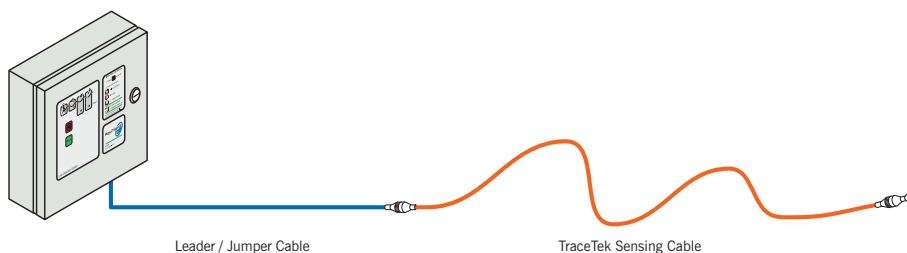
Compliant with standards for immunity  
Compliant with standards for emissions

EN61000-6-2:1999 (Heavy industrial)  
EN50081-1

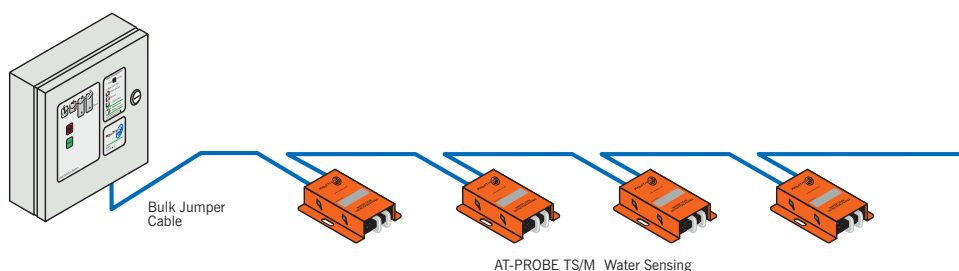
**Ordering information**    Catalogue number    3580 AT-SZA Single Zone Alarm

**Ancillary Products**    3570 AT-SZA-SFMF Semi Flush Mounting Flange  
3485 AT-BU Battery Unit  
2335 AT-RAP Remote alarm panel (230Vac)  
3700 AT-BAT Replacement battery, 7Ah

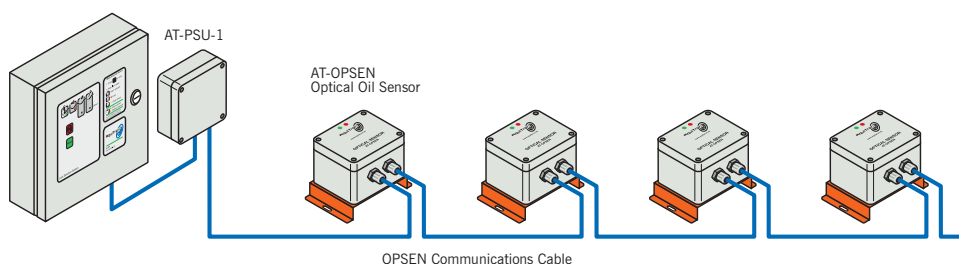
TraceTek or AquiTron™  
Leak Detection Alarm Panel



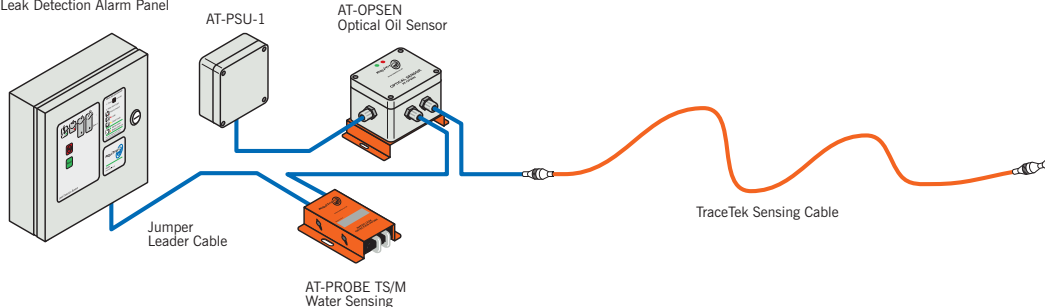
TraceTek or AquiTron™  
Leak Detection Alarm Panel



TraceTek or AquiTron™  
Leak Detection Alarm Panel



TraceTek or AquiTron™  
Leak Detection Alarm Panel



**Important:** All information, including illustrations, is believed to be reliable. Users, however, should independently evaluate the suitability of each product for their application. Aquilar Limited makes no warranty as to the accuracy or completeness of the information, and disclaims any liability regarding its use. The only obligations of Aquilar Limited are those in the Aquilar Standard Terms and Conditions of Sale for this product, and in no case will Aquilar Limited be liable for any incidental, indirect, or consequential damages arising from the sale, resale, use or misuse of the product. Specifications are subject to change without notice. In addition, Aquilar Limited reserves the right to make changes - without notification to Buyer - to processing or materials that do not affect compliance with any applicable specification.

AquiTron is a trademark of AquiTron Limited  
Aquilar is a trademark of Aquilar Limited  
TraceTek is a trademark of Tyco Thermal Controls

**Aquilar Limited**  
Dial Post Court, Horsham Road,  
Rusper, West Sussex RH12 4QX. UK  
Tel: + 44 (0) 1293 871874  
Fax: +44 (0) 1293 871717

E-mail: [info@aquilar.co.uk](mailto:info@aquilar.co.uk)  
[www.aquilar.co.uk](http://www.aquilar.co.uk)

Master TraceTek Distributor UK & Ireland for  
**Raychem® TraceTek®**  
Water, Fuel and Chemical Leak Detection